



English



Contact Us

Web www.en.tiltpro.co.kr
Email overseas@tiltpro.co.kr
Tel +82-1544-7705
Fax +82-31-723-0139

We Design the Lives and Worksite of Our Customers
The Power That Moves Professional



The Power That Moves Professional

TILTPRO

TILTPRO CATALOG INDEX

About TILTPRO Corp

p3

Overview

p4

Achievements & History

p6

Key Businesses

p8

CEO Message

Products

p10

Rotating Coupler & Thumb Grab

p16

Tilt Coupler

p20

Tiltrotator

Customer Support

p22

Customer Support Service

p24

Inquiries for Purchase & A/S



The Power That Moves Professional

We Design the Lives and Worksite of Our Customers

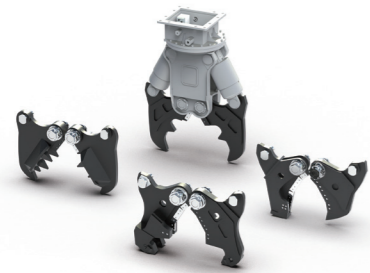
“How has TILTPRO sparked the market and industry?”

While durable products and sleek designs are key contributors, we began to ask a more fundamental question. To answer this, we listened to our customers and, through their feedback, gained insights into TILTPRO's future direction.

TILTPRO has continuously innovated to improve customer work environments, growing by offering experiences that the market has yet to provide. Everything we do focuses on enhancing customer experiences through product and service innovation, strengthening expertise, and elevating professional reputation.

We strive to understand TILTPRO's role from the customer's perspective and are committed to developing the ability to meet their expectations.

Achievements & History



- 01. Achieved \$2 million in exports
- 08. Launched the TILTPRO brand & Developed the first full range of Tilt Couplers in Korea

2014~2017

2018

- 2014.04. Began exporting Demolition Attachments to Europe & the US
- 2015.07. Developed and exported Rail Cutters to Europe
- 2017.08. Developed the first Double Motor Compactor Plate in Korea and exported it to Europe



2021

- 03. Developed Rotating Coupler
- 07. Established Corporation
- 09. Registered for E-commerce Business
- 10. Developed cylinder-free Tiltrotator
- 11. Participated in the 11th Korea International Construction Equipment Exhibition
- 12. Signed a contract to export Rotating Couplers to Europe

2022



- 03. Registered a patent for the Rotating Coupler (rotating device for construction equipment attachments)
- 04. Expanded the second factory in Eumseong, Chungbuk
- 05. Began operation of an integrated customer service center
- 06. Established a dedicated R&D department
- 09. Developed a Thumb Grab for Rotating Couplers & Selected as a venture-certified company
- 12. Developed a CW-type Rotating Coupler for European market

2023

- 04. Expanded the second factory in Eumseong, Chungbuk
- 11. Received the Minister of Industry Award for Contributions to the Development of the Construction Machinery Industry & Established the R&D Center in Hwaseong, Gyeonggi-do
- 12. Certified as a Gyeonggi Export Frontier Company & Selected as the Million Dollar Export Tower



2024



- 04. Participated in INTERMAT 2024 Paris, France
- 05. Participated in CSPI-EXPO 2024 Japan
- 06. Developed R6 Rotating Coupler for mini excavator
- 10. Participated in the 12th Korea International Construction Equipment Exhibition

TILTPRO is on a roll
We're growing now and into the future

1,887%
Annual Growth Rate

1st place
Brand Preference

4,000↑
Annual Production

KEY BUSINESSES



| Korean Domestic Market |

The quality of TILTPRO extends to all aspects of customer service, even after the sale

TILTPRO's quality extends beyond products to all aspects of customer service, even after the sale. Understanding the importance of time, we ensure fast, precise support with a professional service team, an integrated call center, and 26 dealerships nationwide.



| Global Export |

TILTPRO is expanding globally, reaching construction sites worldwide

By incorporating customer feedback from various regions, we aim to strengthen and grow as a company.

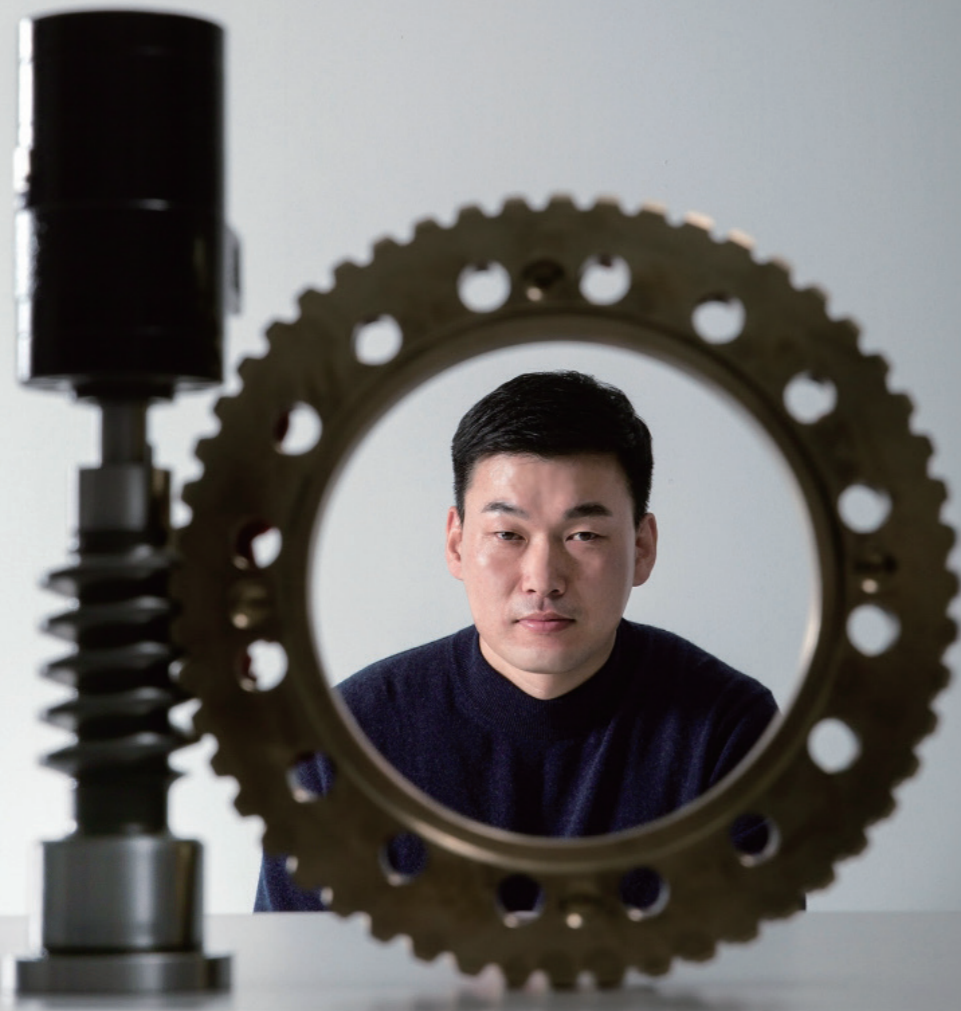


| R&D and Production |

TILTPRO handles everything from development to production, always prioritizing customer feedback

Our products' durability stems from this commitment. With our in-house research and expert manufacturing team at our Eumseong facility, we continually strive to deliver top-quality products.





Dear valued customers and partners,

I would like to sincerely thank all of you for your trust and support in TILTPRO. Since our inception, we have placed customer value at the core of everything we do. Through relentless innovation, we have developed cutting-edge technologies that shape the future. Our mission is simple: to fully understand your needs and do everything we can to meet them.

Customer satisfaction drives us. Every product we design and every service we offer is crafted with the goal of exceeding your expectations. By listening to your feedback, we constantly refine and improve, ensuring that our innovation stays in step with your evolving demands. We believe that your success is our success, and with that belief, we are committed to growing alongside you.

As we move forward, TILTPRO will continue to break new ground, exploring new markets and advancing technologies that create safer and more efficient work environments.

We truly appreciate your ongoing support and look forward to building a brighter future together.

Thank you.

Min Byoung Gyu
CEO, TILTPRO

PRODUCT PHILOSOPHY



Maximized Durability

TILTPRO products are crafted to ensure professional performance and reliability for customers on the job site. The durability of our products is synonymous with trust in the field.



Continuous Support & Care

At TILTPRO, we are committed to providing long-term maintenance services for customers who trust in our products. We guarantee fast and precise service, understanding that for our customers, time is critical.



Unmatched Quality

TILTPRO delivers the highest quality that exceeds customer expectations. Every product is carefully designed and subjected to thorough quality control to ensure flawless performance. Regardless of the conditions, TILTPRO products guarantee stability and consistent quality for our customers.

ROTATING COUPLER

Smaller, Yet Stronger
360° Infinite Rotating Coupler



TILTPRO Corp.

10 11



Perfect Balance

Optimized weight and a compact design that maintain perfect balance

[Lightweight]

The lightweight design maximizes operational efficiency without the need for a counterweight.

[Compact Structure]

The minimized offset height enhances both digging power and operational efficiency.

No More Backlash & Play Worries

Our design eliminates the need for a backlash adjustment device

[Center ring Support Structure]

- Patent for our unique triple structure, which features a center bearing, worm wheel, and rotary joint.
- Maximizes bearing surface area while maintaining a compact form to optimize load distribution.
- Prevents hydraulic fitting loosening with upper and lower fixed blocks on the rotary joint.



[Durability through Details]

- Uses specialized structural steel optimized for welding, reducing the likelihood of cracks.
- Automatically expels deteriorated grease through new grease injection, ensuring optimal equipment condition.

Ultimate Efficiency

[100% Performance Optimization]

- Maximizing rotary joint passages to minimize flow loss.
- Fully utilizing the performance of high-flow attachments like breakers.

[Smooth and Precise Control]

- Powerful, smooth rotation achieved with optimal gear ratios.
- Minimal operator fatigue through precise rotation control.

R-SERIES

ROTATING COUPLER



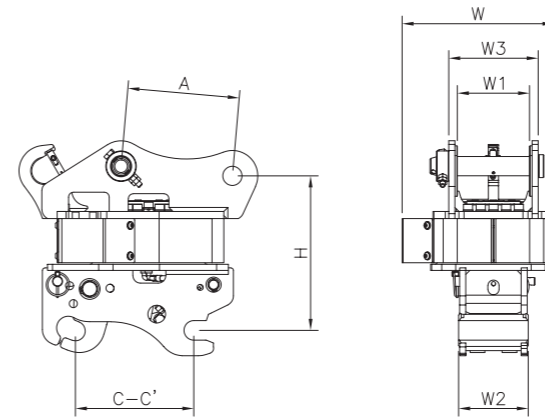
Rotating Coupler

Item	Unit	RQ004	RQ007	RQ010	RQ019
Max Bucket Width	mm	1000	1200	1300	1700
Unit Weight	kg	88	167	230	438
Rated Pressure	bar	175	175	175	175
Rated Flow	lpm	20	60	60	60
Rotation Torque	Nm	1.3	4.4	5.1	8.2
Pin Diameter	mm	Ø38	Ø45	Ø50	Ø65
Overall Width(W)	mm	299	374	421	485
Mounting Width(W1)	mm	142	167	180	277
Mounting Width(W2)	mm	137	153	176	257
Width(W3)	mm	176	217	252	348
Pin to Pin(A)	mm	220	290	300	420
Offset Height(H)	mm	304	356	381	445
Pickup Range(C-C')	mm	183~233	242~301	287~321	367~411

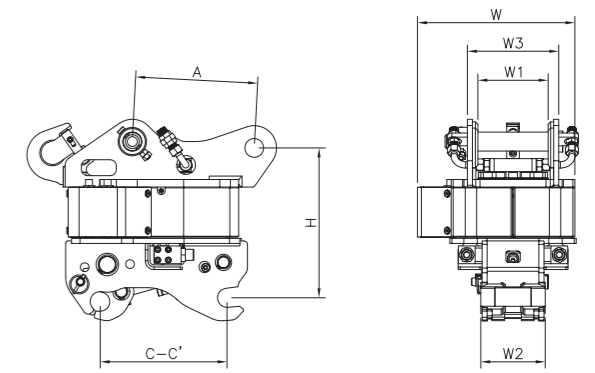
※ YANMAR

※ KOBELCO

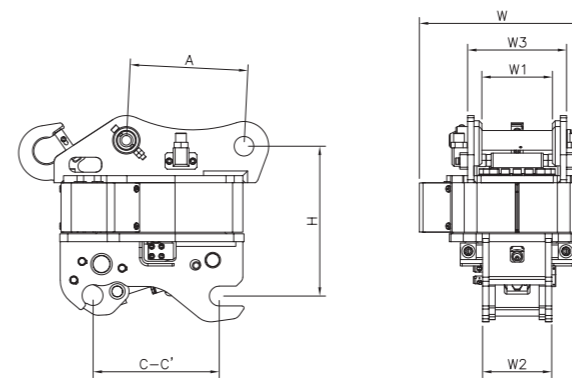
2.5~3.9ton RQ004



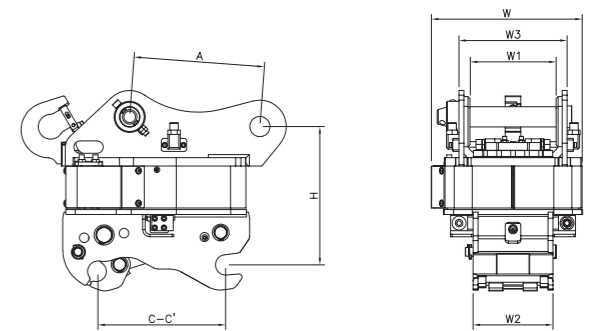
4~6.9ton RQ007



7~9.9ton RQ010



10~19ton RQ019



MCR

Perfectly disperses and absorbs both axial and radial loads during rotation, minimizing vertical and horizontal play.



IMB

Integrates and simplifies the functions of complex components, such as hoses and fittings, to resolve issues related to unnecessary leaks and loosening.



Self-Locking Safety Pin

A safety pin that automatically locks without the need for a separate lock pin.



ERS

Allows for emergency release by draining hydraulic pressure through the port in case of quick coupler cylinder malfunction.



Anti-Friction Slide Disc

Applies special materials and processing, in conjunction with MCR, to achieve smooth rotation and effective load distribution in the rotating drive, minimizing friction and play.

G-SERIES THUMB GRAB

Dedicated Thumb Grab Compatible with the R-Series



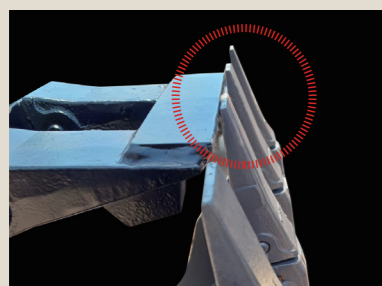
G7



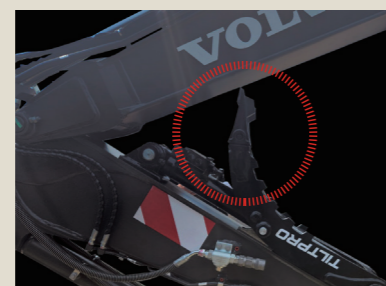
G10

Item	Unit	G7
Carrier Weight	ton	4~6.9
Operating Pressure	bar	210
Unit Weight	kg	89
Overall Length	mm	1137
Overall Height	mm	407
Grab Radius	mm	1173
Mounting Width	mm	219
Overall Width	mm	348

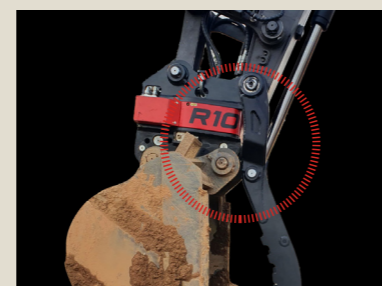
Item	Unit	G10
Carrier Weight	ton	10~19
Operating Pressure	bar	210
Unit Weight	kg	207
Overall Length	mm	1532
Overall Height	mm	542
Grab Radius	mm	1576
Mounting Width	mm	352
Overall Width	mm	477



Fully compatible with the bucket tooth end



Minimizes interference with the excavator boom



Reduces interference between excavator links

Compatible with any attachment,
delivering optimal performance in all tasks



Grading Beam



Grapple



Forklift



Compactor



Tilt Bucket



Sweeper



Slope Cutting



Trenching



Backfilling



Grading

TILT COUPLER

Designed by Experts for Professionals
Offers a tilting angle of up to 180°



TILTPRO Corp.



Zero Work Interference

Similar width to a standard coupler

[Minimal Width]

- Maximizing the performance of the Tilt Coupler in confined spaces.
- Reduced risk of product damage due to minimal work interference.

[No Cylinder]

- Helical Geared Tilt Coupler that eliminates the need to consider cylinder interference.

Tilt Actuators



Optimized drive with quadruple helical gear meshing

[Maximized Durability]

- Tight tolerances to dissipate external shocks and reduce workloads.

[Precise Gear Ratio]

- Smooth tilting and strong holding torque for precise manipulation.

Operations That Only Tilt Coupler Can Do



Performing Non-Standard Tasks



Maintaining Level Tools



Utilizing Bucket Edge

T-SERIES

TILT COUPLER



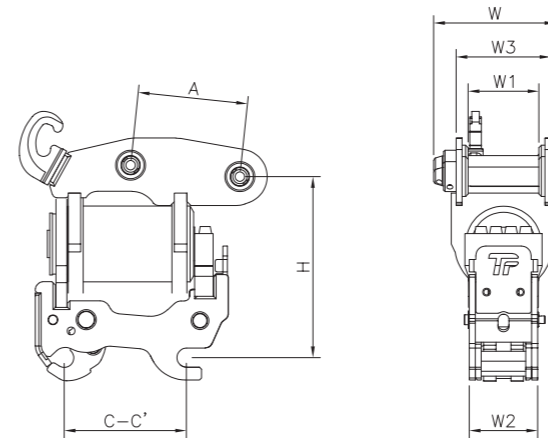
Tilt Coupler

Item	Unit	TC004	TC007	TC009	TC014
Displacement	cm ³	520	1050	1450	1920
Max Bucket Width	mm	1200	1400	1500	1700
Unit Weight	kg	80	130	220	320
Total Tilt Angle	degree	180°	180°	180°	134°
Rated Flow	lpm	3-6	6-12	12-20	24-28
Rated Pressure	bar	210	210	210	210
Output Torque	Nm	2800	4700	7300	10500
Holding Torque	Nm	6800	12000	18000	26000
Port Connection	BSP	1/4"	1/4"	1/4"	1/4"
Pin Diameter	mm	Ø38	Ø45	Ø50	Ø65
Overall Width(W)	mm	245	280	342	433
Mounting Width(W1)	mm	142	167	202	277
Mounting Width(W2)	mm	137	147	176	257
Width(W3)	mm	190	217	265	340
Pin to Pin(A)	mm	220	290	310	395
Offset Height(H)	mm	360	407	432	510
Pickup Range(C-C')	mm	178~245	250~303	270~310	386~438

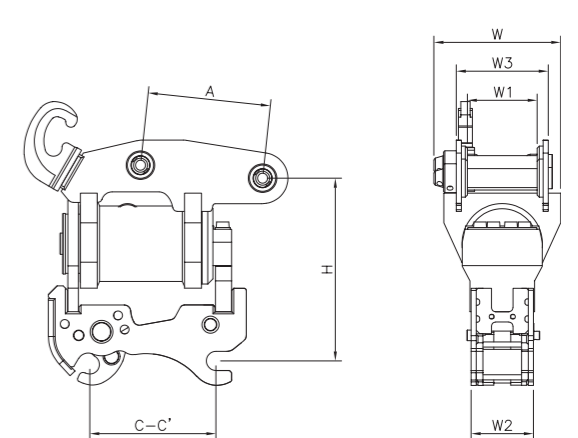
※ YANMAR

※ YANMAR, KOBELCO, HITACHI

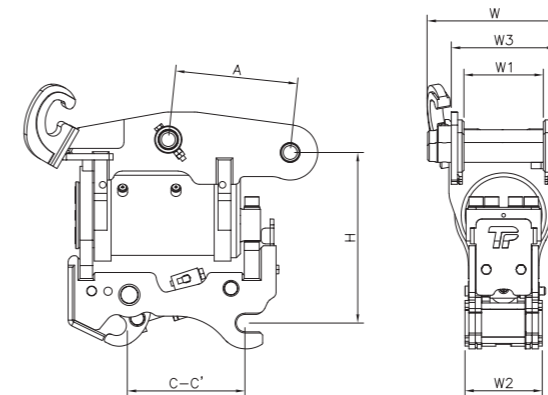
2.5~3.9ton TC004



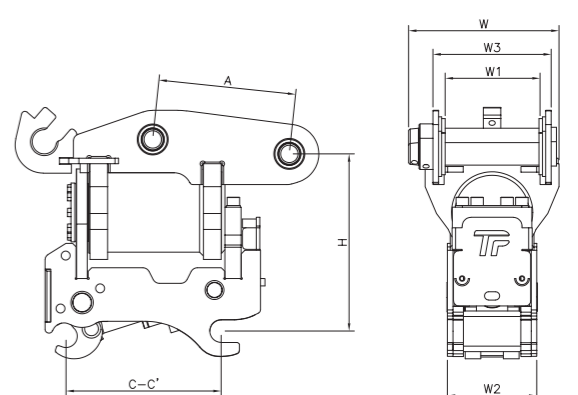
4~6.9ton TC007



7~9.9ton TC009



10~19ton TC014



TILT ROTATOR

Simultaneous Tilt and Rotation Work
Effortless Upgrades and Maintenance



TILTPRO Corp.

Simple Hydraulic System without Electrical Control

Utilizes the existing hydraulic system without any modifications

[Equipment Upgrade]

By combining the TILTPRO Rotating Coupler and Tilt Actuator, existing rotating coupler users can easily upgrade.

[Simplicity]

- Operable using the standard joystick without the need for retrofitting a special joystick.
- No need for equipment replacement or additional electrical installations, reducing installation time.
- Lower failure rates due to electrical system issues or oil leaks.
- Quick repairs possible in case of malfunction.

Optimal Balance

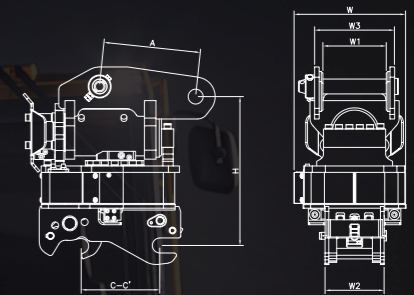
Directly mounting to the equipment minimizes the weight, height, and overall width of the attachment

[Helical Gear Tilting System]

Using helical gear technology that eliminates the need to consider cylinder interference, providing a maximum tilting angle of 50° to both sides.

[Dedicated Tilt Actuator for Tiltrotator]

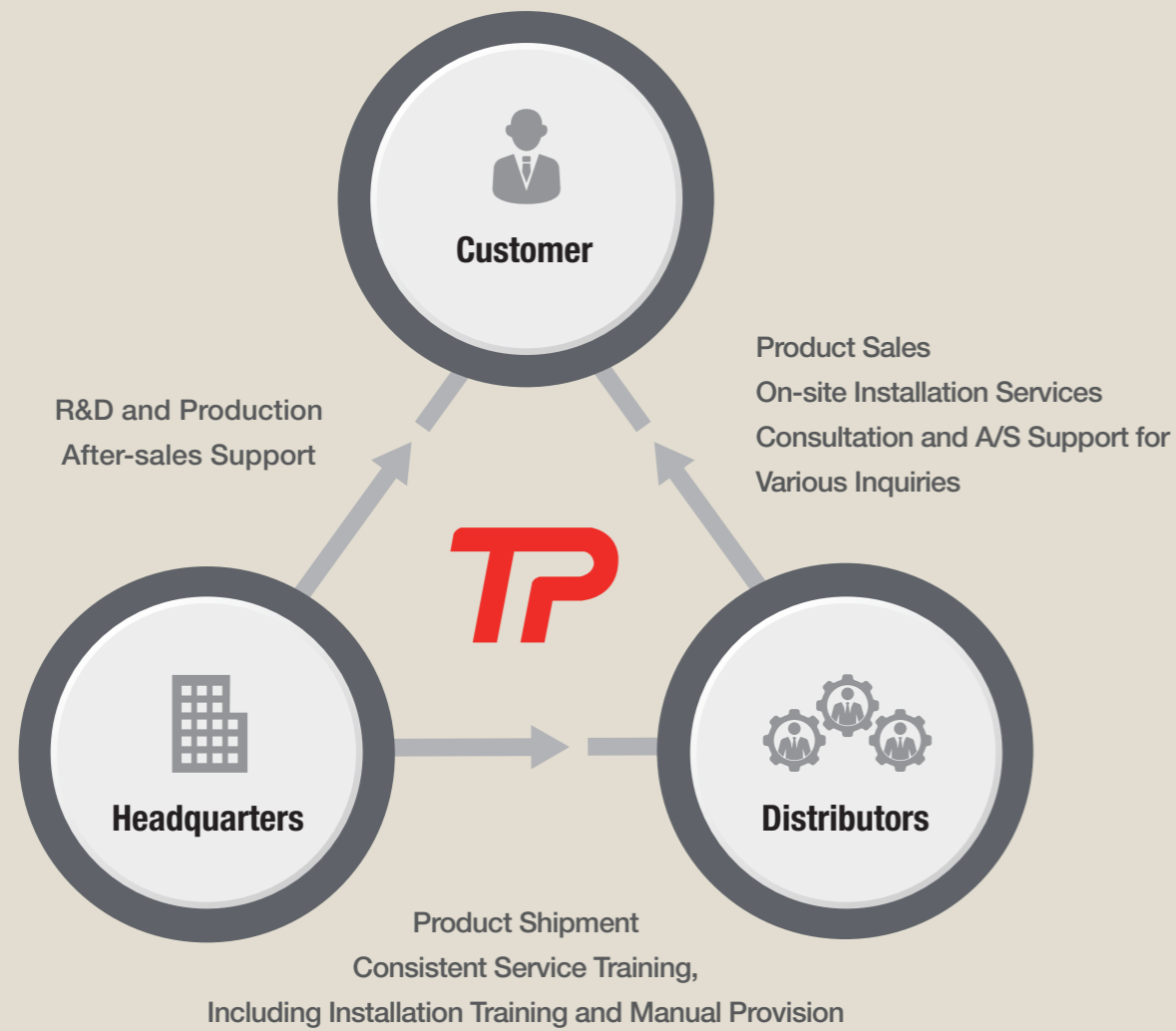
Achieves lighter weight and lower height.



Item	Unit	TR019
Carrier Weight	ton	10~19
Displacement	cm ³	1950
Max Bucket Width	mm	1700
Unit Weight	kg	623
Total Tilt Angle	degree	100°
Rated Oil Flow(Rotation)	lpm	60
Rated Pressure(Rotation)	bar	175
Rated Oil Flow(Tilt)	lpm	24-28
Rated Pressure(Tilt)	bar	210
Output Torque	Nm	15000
Holding Torque	Nm	38000
Port Connection	BSPP	1/4"
Pin Diameter	mm	Ø65
Overall Width(W)	mm	484
Mounting Width(W1)	mm	276
Mounting Width(W2)	mm	257
Width(W3)	mm	348
Pin to Pin(A)	mm	420
Offset Height(H)	mm	648
Pickup Range(C-C*)	mm	356~409

T-PACKAGE CARE SERVICE

At TILTPRO, quality signifies not only the excellence of our products but also the entirety of our customer service experience.



Contact



Dongtan Office

Division : Sales Division, Management Support Division, Industrial R&D Center
Address : 5F-551, 547, B Building, Dongtan Keumkang Pentierum IX Tower, 27, Dongtancheomdansaneop 1-ro, Hwaseong-si, Gyeonggi-do, Republic of Korea



Hwaseong Factory

Division : Customer Support Center
Address : 48 Balsan 5-gil, Jeongnam-myeon, Hwaseong-si, Gyeonggi-do, Republic of Korea



Eumseong Factory

Division : Manufacturing Division
Address : 1397-13 Jinseong-ro, Geumwang-eup, Eumseong-gun, Chungcheongbuk-do, Republic of Korea



26 Distributors



Consolidated Call Center



T-PACKAGE NETWORK

With an integrated call center and 26 dealers nationwide, top-quality service is guaranteed anywhere.

Purchase Process



Product Consultation

Consult with the nearest dealer or integrated call center to discuss the product and finalize your purchase.



Installation Schedule Coordination

Coordinate the installation schedule with the dealer and arrange for product dispatch.



Installation

The dealer conducts on-site installation and provides guidance on using the product.



Contract and Payment

Sign the purchase contract (including structural modification details) and complete the payment.

A/S Process



01 | A/S Request

Receive request via dealer or call center.



02 | Consultation

Determine if repairs are on-site or at the factory.



03 | Repair

Conduct repairs at the designated location.



04 | Release

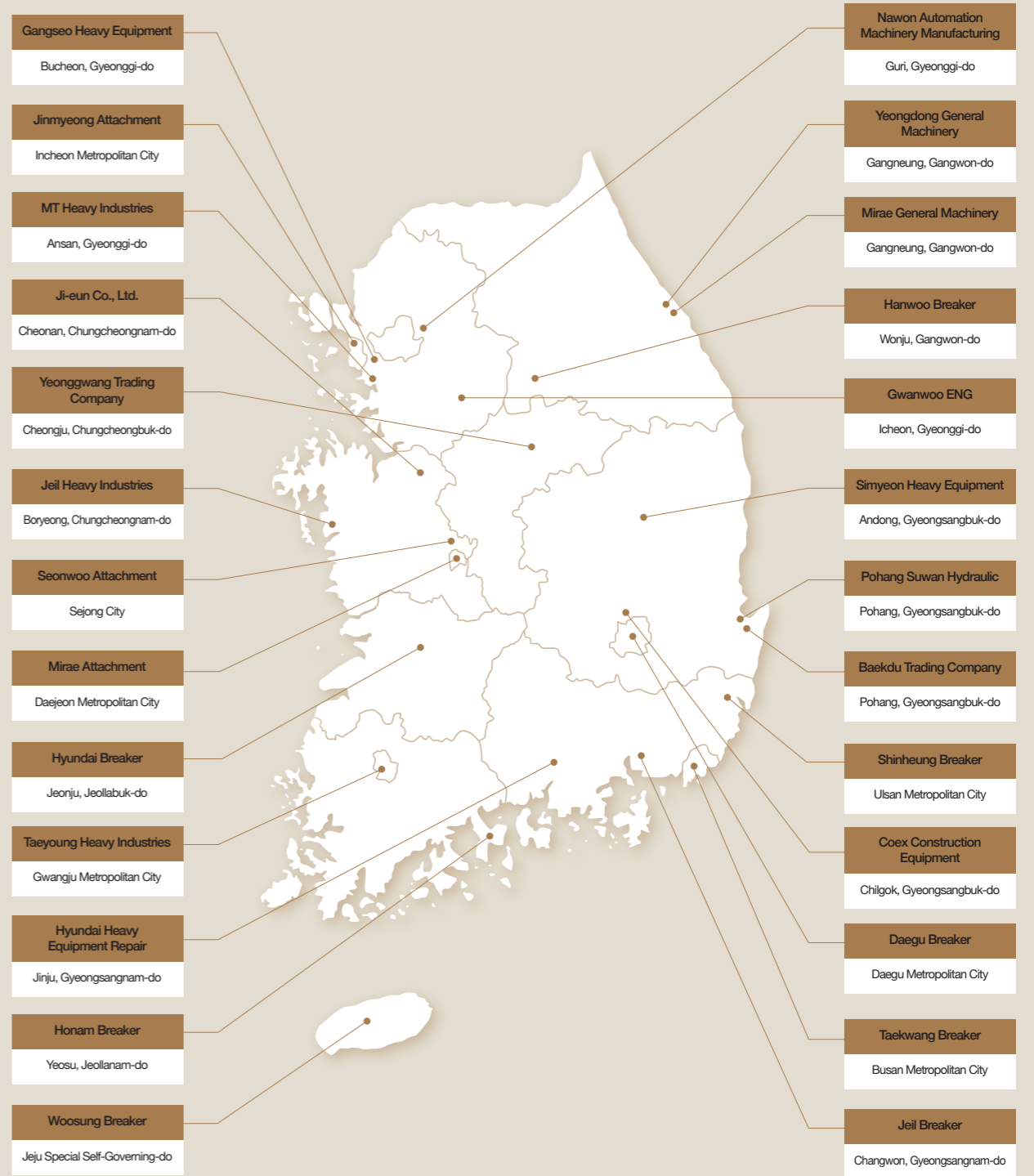
※ For factory repairs, release and reinstall the product.

Inquiries for Purchase and A/S



Integrated Call Center
+82-1544-7705

Nationwide Dealer Information



MEMO

TP

MEMO

TP